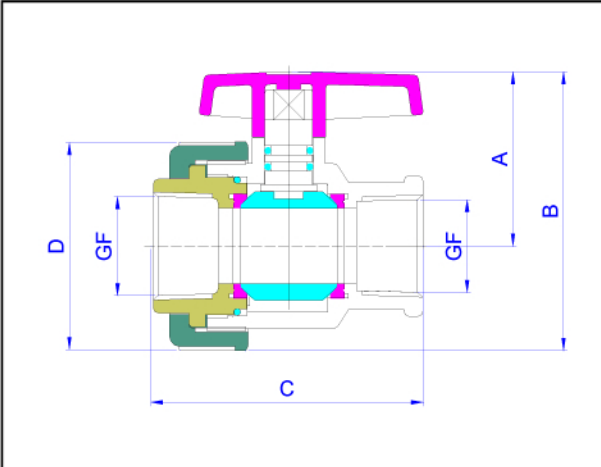


Item code: 9001

Black PVC ball valve female threaded ends



Size mm	PN	Dimensions mm						Weight
Ø	BAR	A	B	C	D	GF	GF	GR.
¾	10	76	89	65	57	¾	¾	110
1	10	82	99	74	67	1	1	175
1¼	10	94	115	103	77	1¼	1¼	300
1½	10	102	127	103	91	1½	1½	500
2	10	130	160	135	111	2	2	780
3	10	145	220	180	165	3	3	2329

More informations:

RAW MATERIAL: PVC VALVES
STANDARDS : UNI EN 10226-1 (ISO7/1)