



CARATTERISTICHE TECNICHE TECHNICAL FEATURES

MATERIALI IMPIEGATI / RAW MATERIALS	PP + anti-UV
PRESSIONE DI ESERCIZIO / WORKING PRESSURE	MAX 4 bar - 20°C
TEMPERATURA MAX / MAXIMUM TEMPERATURE	80°C
FILETTATURE / THREAD	BSPT

I dati del presente catalogo, hanno titolo puramente indicativo e non sono vincolanti. La Plast Project S.r.l. si riserva il diritto, anche senza preavviso, di effettuare modifiche ai prodotti, ai fini del loro miglioramento tecnico.

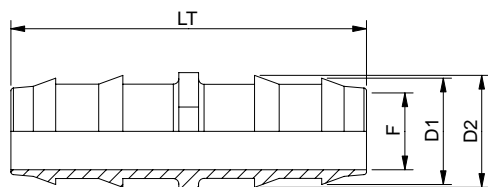
The specifications in this document are to be considered merely informative and are not binding. Plast Project S.r.l. reserves its right to carry out all the modifications which are considered necessary in accordance with technical improvement.

Raccorderia a portagomma per tubo in PE BD

Barbed fittings for LD PE pipe



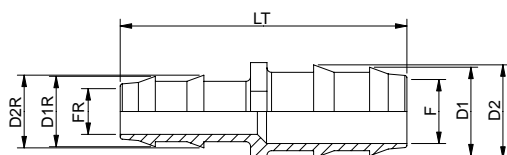
6010 / 6011



CODE	Ø	LT	F	D1	D2
6010.0160	16-16	68.0	9.8	14.8	15.6
6010.0200	20-20	64.0	13.9	19.0	20.0
6010.0250	25-25	73.0	18.2	24.0	25.0
6010.0320	32-32	90.9	24.1	31.0	32.0
6010.0400	40-40	104.8	30.2	38.8	39.8
6010.0500	50-50	134.4	38.1	47.1	48.1
6010.0630	63-63	150.0	49.0	59.0	60.0

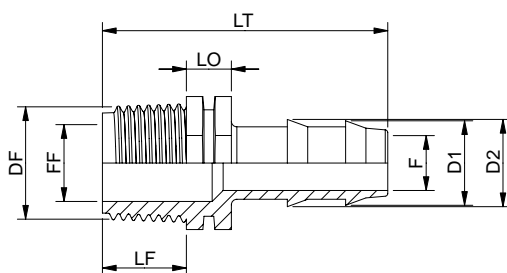
6011.0160	16-16	68.0	9.8	14.8	15.6
6011.0200	20-20	64.0	13.9	19.0	20.0

6015



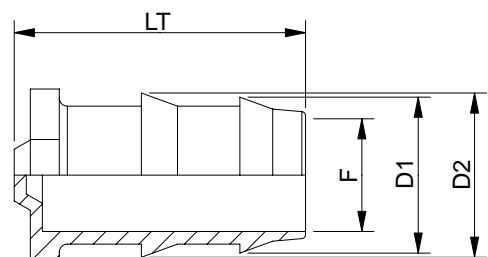
CODE	Ø	LT	F	D1	D2	FR	D1R	D2R
6015.2016	20-16	51.6	13.9	19.0	20.0	9.8	14.8	15.6
6015.2516	25-16	65.4	18.2	24.0	25.0	9.8	14.8	15.6
6015.2520	25-20	66.2	18.2	24.0	25.0	13.9	19.0	20.0
6015.3225	32-25	82.4	24.1	31.0	32.0	18.2	24.0	25.0
6015.4025	40-25	90.2	30.2	38.8	39.8	18.2	24.0	25.0
6015.4032	40-32	98.1	30.2	38.8	39.8	24.1	31.0	32.0
6015.5040	50-40	122.8	38.1	47.1	48.1	30.2	38.8	39.8
6015.6340	63-40	130.6	49.0	59.0	60.0	30.2	38.8	39.8
6015.6350	63-50	142.6	49.0	59.0	60.0	38.1	47.1	48.1

6020



CODE	Ø	LT	F	D1	D2	FF	DF	LF	LO
6020.016C	16-1/2"	51.6	9.8	14.8	15.6	14.0	1/2"	15.3	8.0
6020.016D	16-3/4"	55.6	9.8	14.8	15.6	18.3	3/4"	17.3	10.0
6020.020C	20-1/2"	51.9	13.9	19.0	20.0	14.0	1/2"	15.3	8.0
6020.020D	20-3/4"	55.2	13.9	19.0	20.0	18.3	3/4"	17.3	10.0
6020.025C	25-1/2"	58.6	18.2	24.0	25.0	14.0	1/2"	15.3	3.1
6020.025D	25-3/4"	55.2	18.2	24.0	25.0	18.3	3/4"	17.3	8.0
6020.025E	25-1"	66.4	18.2	24.0	25.0	24.3	1"	19.2	11.3
6020.025F	25-1 1/4"	69.1	18.2	24.0	25.0	31.8	1 1/4"	22.0	12.0
6020.032D	32-3/4"	65.1	24.1	31.0	32.0	18.3	3/4"	17.3	5.1
6020.032E	32-1"	74.4	24.1	31.0	32.0	24.3	1"	19.2	11.3
6020.032F	32-1 1/4"	77.2	24.1	31.0	32.0	31.8	1 1/4"	22.0	12.0
6020.040D	40-3/4"	72.8	30.2	38.8	39.8	18.3	3/4"	17.3	5.1
6020.040E	40-1"	74.7	30.2	38.8	39.8	24.3	1"	19.2	5.1
6020.040F	40-1 1/4"	84.3	30.2	38.8	39.8	31.8	1 1/4"	22.0	12.0
6020.040G	40-1 1/2"	86.3	30.2	38.8	39.8	37.7	1 1/2"	24.0	13.0
6020.040H	40-2"	92.8	30.2	38.8	39.8	49.0	2"	27.0	15.0
6020.050F	50-1 1/4"	94.7	38.1	47.1	48.1	31.8	1 1/4"	22.0	10.2
6020.050G	50-1 1/2"	99.6	38.1	47.1	48.1	37.7	1 1/2"	24.0	13.0
6020.050H	50-2"	104.4	38.1	47.1	48.1	49.0	2"	27.0	15.0
6020.063F	63-1 1/4"	102.1	49.0	59.0	60.0	31.8	1 1/4"	22.0	10.2
6020.063G	63-1 1/2"	104.2	49.0	59.0	60.0	37.7	1 1/2"	24.0	10.2
6020.063H	63-2"	112.2	49.0	59.0	60.0	49.0	2"	27.0	15.0

6060



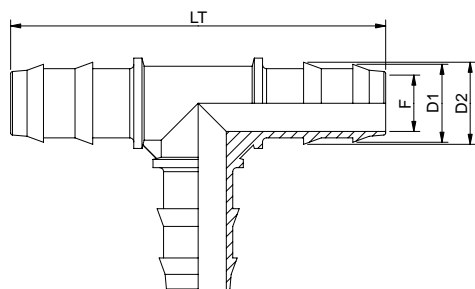
CODE	Ø	LT	F	D1	D2
6060.0160	16	27.9	8.9	14.8	15.6
6060.0200	20	29.0	13.9	19.0	20.0
6060.0250	25	40.0	18.2	24.0	25.0
6060.0320	32	50.6	24.1	31.0	32.0
6060.0400	40	57.5	30.2	38.8	39.8
6060.0500	50	77.3	38.1	47.1	48.1
6060.0630	63	95.0	49.0	59.0	60.0

Raccorderia a portagomma per tubo in PE BD

Barbed fittings for LD PE pipe

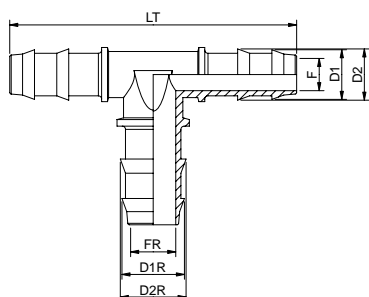


6110



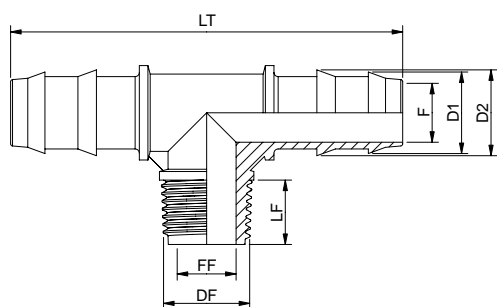
CODE	Ø	LT	F	D1	D2
6110.0160	16-16-16	67.8	8.9	14.8	15.6
6110.0200	20-20-20	89.8	13.9	19.0	20.0
6110.0250	25-25-25	105.2	18.2	24.0	25.0
6110.0320	32-32-32	129.2	24.1	31.0	32.0
6110.0400	40-40-40	151.0	30.2	38.8	39.8

6115



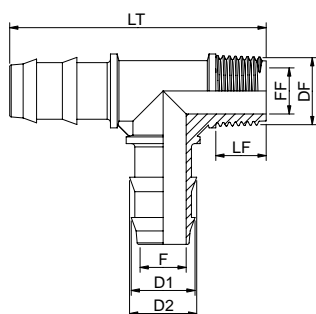
CODE	Ø	LT	F	D1	D2	FR	D1R	D2R
6115.1620	20-16-20	89.8	13.9	19.0	20.0	9.8	14.8	15.6
6115.1625	25-16-25	105.2	18.2	24.0	25.0	9.8	14.8	15.6
6115.2016	16-20-16	85.0	9.8	14.8	15.6	13.9	19.0	20.0
6115.2025	25-20-25	105.2	18.2	24.0	25.0	13.9	19.0	20.0
6115.2516	16-25-16	85.0	9.8	14.8	15.6	18.2	24.0	25.0
6115.2520	20-25-20	89.8	13.9	19.0	20.0	18.2	24.0	25.0
6115.2532	32-25-32	129.2	24.1	31.0	32.0	18.2	24.0	25.0
6115.3225	25-32-25	117.2	18.2	24.0	25.0	24.1	31.0	32.0
6115.3240	40-32-40	151.0	30.2	38.8	39.8	24.1	31.0	32.0
6115.4032	32-40-32	129.2	24.1	31.0	32.0	30.2	38.8	39.8

6120



CODE	Ø	LT	F	D1	D2	FF	DF	LF
6120.016C	16-½"-16	85.0	9.8	14.8	15.6	14.0	½"	15.3
6120.016D	16-¾"-16	85.0	9.8	14.8	15.6	18.3	¾"	17.3
6120.020C	20-½"-20	89.8	13.9	19.0	20.0	14.0	½"	15.3
6120.020D	20-¾"-20	89.8	13.9	19.0	20.0	18.3	¾"	17.3
6120.025C	25-½"-25	105.2	18.2	24.0	25.0	14.0	½"	15.3
6120.025D	25-¾"-25	105.2	18.2	24.0	25.0	18.3	¾"	17.3
6120.025E	25-1"-25	105.2	18.2	24.0	25.0	24.3	1"	19.2
6120.032D	32-¾"-32	129.2	24.1	31.0	32.0	24.3	1"	19.2
6120.032E	32-1"-32	129.2	24.1	31.0	32.0	24.3	1"	19.2
6120.032F	32-1¼"-32	129.2	24.1	31.0	32.0	32.5	1¼"	22.0
6120.040E	40-1"-40	151.0	30.2	38.8	39.8	24.3	1"	19.2
6120.040F	40-1¼"-40	151.0	30.2	38.8	39.8	32.5	1¼"	22.0

6125



CODE	Ø	LT	F	D1	D2	FF	DF	LF
6125.020C	20-20-½"	76.0	13.9	19.0	20.0	14.0	½"	15.3
6125.025D	25-25-¾"	88.7	18.2	24.0	25.0	18.3	¾"	17.3
6125.025E	25-25-1"							
6125.032E	32-32-1"	108.8	24.1	31.0	32.0	24.3	1"	19.2
6125.032F	32-32-1¼"							
6125.040F	40-40-1¼"							

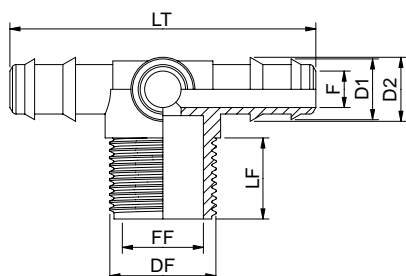
Raccorderia a portagomma per tubo in PE BD

Barbed fittings for LD PE pipe



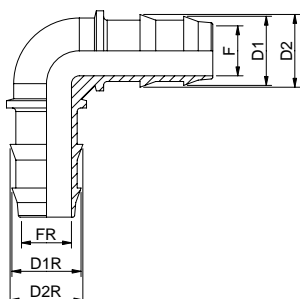
6135

CODE	Ø	LT	F	D1	D2	FF	DF	LF
6120.016D	16-3/4"	74.7	8.9	14.8	15.6	20.0	3/4"	20.0



6210 / 6215

CODE	Ø	F	D1	D2	FR	D1R	D2R
6210.0160	16-16	9.8	14.8	15.6			
6210.0200	20-20	13.9	19.0	20.0			
6210.0250	25-25	18.2	24.0	25.0			
6210.0320	32-32	24.1	31.0	32.0			
6210.0400	40-40	30.2	38.8	39.8			
6215.2016	20-16	13.9	19.0	20.0	9.8	14.8	15.6



6220

CODE	Ø	F	D1	D2	FF	DF	LF
6220.016C	16-1/2"	9.8	14.8	15.6	14.0	1/2"	15.3
6220.016D	16-3/4"	9.8	14.8	15.6	18.3	3/4"	17.3
6220.020C	20-1/2"	13.9	19.0	20.0	14.0	1/2"	15.3
6220.020D	20-3/4"	13.9	19.0	20.0	18.3	3/4"	17.3
6220.025D	25-3/4"	18.2	24.0	25.0	18.3	3/4"	17.3
6220.025E	25-1"	18.2	24.0	25.0	24.3	1"	19.2
6220.032D	32-3/4"	24.1	31.0	32.0	18.3	3/4"	17.3
6220.032E	32-1"	24.1	31.0	32.0	24.3	1"	19.2
6220.032F	32-1 1/4"	24.1	31.0	32.0	32.5	1 1/4"	22.0
6220.040E	40-1"	30.2	38.8	39.8	24.3	1"	19.2
6220.040F	40-1 1/4"	30.2	38.8	39.8	32.5	1 1/4"	22.0

